

1-5747299-4 ✓ ACTIVE

AMPLIMITE | AMPLIMITE HD-20

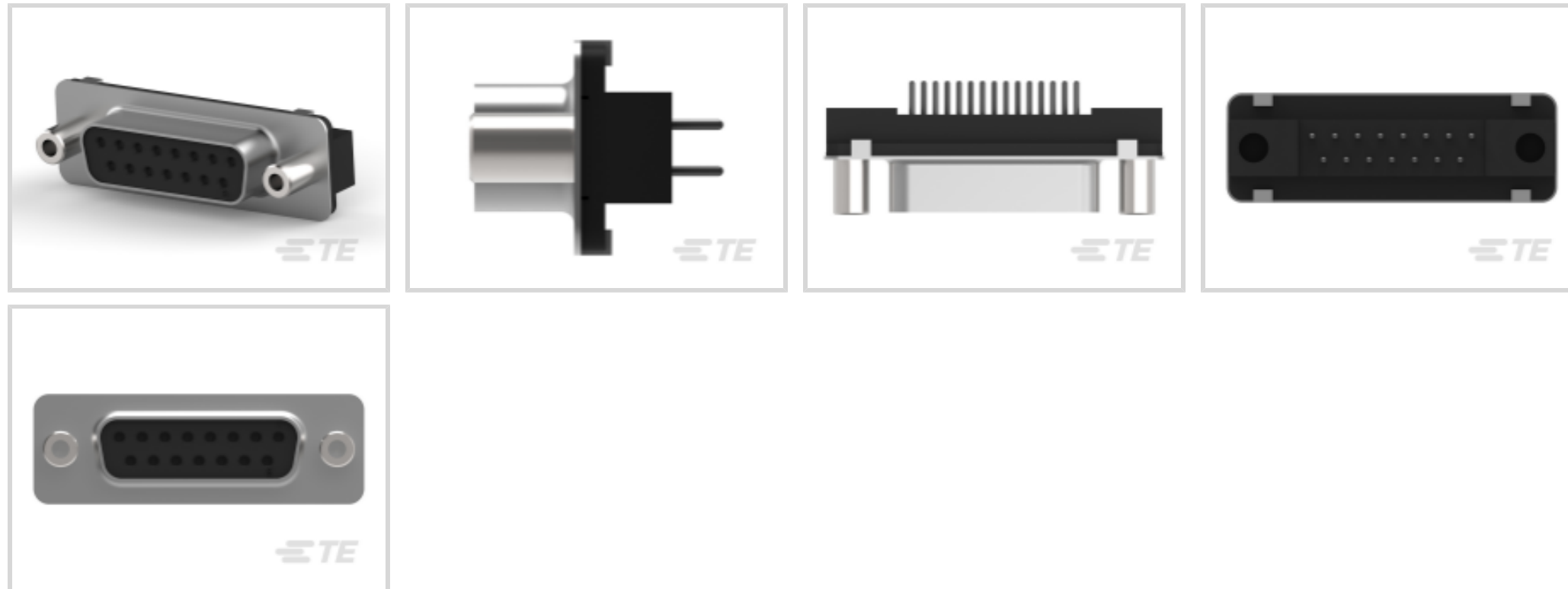
TE Internal #: 1-5747299-4

PCB D-Sub Connectors, Receptacle, Board-to-Board, 15 Position,  
2.74 mm [.108 in] Centerline, 2 Row, Size 2, Round, Standard Profile,  
AMPLIMITE HD-20

[View on TE.com >](#)



Connectors > D-Shaped Connectors > D-Sub Connectors > PCB D-Sub Connectors > D-Sub Receptacle Assembly: Vertical, Shell Size 2, 2.74mm



Connector & Housing Type: **Receptacle**

Connector System: **Board-to-Board**

Number of Positions: **15**

Centerline (Pitch): **2.74 mm [.108 in]**

Number of Rows: **2**

[All D-Sub Receptacle Assembly: Vertical, Shell Size 2, 2.74mm \(45\)](#)

## Features

### Product Type Features

|                                   |                       |
|-----------------------------------|-----------------------|
| Grounding Straps                  | Without               |
| Grounding Indents                 | Without               |
| Shell Type                        | Front Metal Shell     |
| Connector & Housing Type          | Receptacle            |
| Connector System                  | Board-to-Board        |
| D-Sub Shell Size                  | 2                     |
| Sealable                          | No                    |
| Connector & Contact Terminates To | Printed Circuit Board |
| Product Type                      | Connector             |

### Configuration Features

|                       |          |
|-----------------------|----------|
| Number of Positions   | 15       |
| Number of Rows        | 2        |
| PCB Mount Orientation | Vertical |



|           |     |
|-----------|-----|
| Preloaded | Yes |
|-----------|-----|

### Body Features

|         |    |
|---------|----|
| Plastic | No |
|---------|----|

|                 |       |
|-----------------|-------|
| Insert Material | Brass |
|-----------------|-------|

|                           |      |
|---------------------------|------|
| Female Screwlock Material | Zinc |
|---------------------------|------|

|                   |          |
|-------------------|----------|
| Connector Profile | Standard |
|-------------------|----------|

|                |              |
|----------------|--------------|
| Shell Material | Carbon Steel |
|----------------|--------------|

|                        |     |
|------------------------|-----|
| Shell Plating Material | Tin |
|------------------------|-----|

|           |                 |
|-----------|-----------------|
| Post Size | .66 mm[.026 in] |
|-----------|-----------------|

### Contact Features

|                                      |      |
|--------------------------------------|------|
| Contact Mating Area Plating Material | Gold |
|--------------------------------------|------|

|                               |        |
|-------------------------------|--------|
| Contact Underplating Material | Nickel |
|-------------------------------|--------|

|   |     |
|---|-----|
| PCB Contact Termination Area Plating Material | Tin |
|---|-----|

|                       |                 |
|-----------------------|-----------------|
| Contact Base Material | Phosphor Bronze |
|-----------------------|-----------------|

|                      |       |
|----------------------|-------|
| Contact Shape & Form | Round |
|----------------------|-------|

|                              |     |
|------------------------------|-----|
| Contact Current Rating (Max) | 6 A |
|------------------------------|-----|

|  |            |
|--|------------|
|  | 30 $\mu$ m |
|--|------------|

### Termination Features

|                 |         |
|-----------------|---------|
| Grounding Clips | Without |
|-----------------|---------|

|   |                       |
|---|-----------------------|
| Termination Method to Printed Circuit Board | Through Hole - Solder |
|---|-----------------------|

|                         |                  |
|-------------------------|------------------|
| Termination Post Length | 3.18 mm[.125 in] |
|-------------------------|------------------|

### Mechanical Attachment

|                     |         |
|---------------------|---------|
| Panel Mount Feature | Without |
|---------------------|---------|

|                     |      |
|---------------------|------|
| PCB Mount Retention | With |
|---------------------|------|

|                          |               |
|--------------------------|---------------|
| PCB Mount Retention Type | Mounting Hole |
|--------------------------|---------------|

|                  |      |
|------------------|------|
| Mating Retention | With |
|------------------|------|

|                       |                          |
|-----------------------|--------------------------|
| Mating Retention Type | Female Screwlocks, Fixed |
|-----------------------|--------------------------|

|                         |             |
|-------------------------|-------------|
| Connector Mounting Type | Board Mount |
|-------------------------|-------------|

|                        |                 |
|------------------------|-----------------|
| Mounting Hole Diameter | 3.05 mm[.12 in] |
|------------------------|-----------------|

### Housing Features

|                    |                  |
|--------------------|------------------|
| Centerline (Pitch) | 2.74 mm[.108 in] |
|--------------------|------------------|

|                  |           |
|------------------|-----------|
| Housing Material | Polyester |
|------------------|-----------|



|               |       |
|---------------|-------|
| Housing Color | Black |
|---------------|-------|

### Dimensions

|                             |                                |
|-----------------------------|--------------------------------|
| Row-to-Row Spacing          | 2.84 mm[.112 in]               |
| PCB Thickness (Recommended) | 1.57 – 2.36 mm[.062 – .093 in] |

### Usage Conditions

|                             |                            |
|-----------------------------|----------------------------|
| Operating Temperature Range | -55 – 105 °C[-67 – 221 °F] |
|-----------------------------|----------------------------|

### Operation/Application

|                     |        |
|---------------------|--------|
| Circuit Application | Signal |
|---------------------|--------|

### Industry Standards

|                        |          |
|------------------------|----------|
| UL Flammability Rating | UL 94V-0 |
|------------------------|----------|

### Packaging Features

|                    |      |
|--------------------|------|
| Packaging Method   | Tube |
| Packaging Quantity | 13   |

### Other

|         |  |
|---------|--|
| Comment | All receptacles are preloaded with size 20 DF posted socket contacts |
|---------|--|

## Product Compliance

[For compliance documentation, visit the product page on TE.com>](#)

|   |   |
|---|---|
| EU RoHS Directive 2011/65/EU                  | Compliant   |
| EU ELV Directive 2000/53/EC                   | Compliant   |
| China RoHS 2 Directive MIIT Order No 32, 2016 | No Restricted Materials Above Threshold   |
| EU REACH Regulation (EC) No. 1907/2006        | Current ECHA Candidate List: JUNE 2022 (224)<br>Candidate List Declared Against: JUNE 2022 (224)<br>Does not contain REACH SVHC |
| Halogen Content                               | Not Low Halogen - contains Br or Cl > 900 ppm.  |
| Solder Process Capability                     | Wave solder capable to 265°C  |

#### Product Compliance Disclaimer

This information is provided based on reasonable inquiry of our suppliers and represents our current actual knowledge based on the information they provided. This information is subject to change. The part numbers that TE has identified as EU RoHS compliant have a maximum concentration of 0.1% by weight in homogenous materials for lead, hexavalent chromium, mercury, PBB, PBDE, DBP, BBP, DEHP, DIBP, and 0.01% for cadmium, or qualify for an exemption to these limits as defined in the Annexes of Directive 2011/65/EU (RoHS2). Finished electrical and electronic equipment products

will be CE marked as required by Directive 2011/65/EU. Components may not be CE marked. Additionally, the part numbers that TE has identified as EU ELV compliant have a maximum concentration of 0.1% by weight in homogenous materials for lead, hexavalent chromium, and mercury, and 0.01% for cadmium, or qualify for an exemption to these limits as defined in the Annexes of Directive 2000/53/EC (ELV). Regarding the REACH Regulation, the information TE provides on SVHC in articles for this part number is based on the latest European Chemicals Agency (ECHA) 'Guidance on requirements for substances in articles' posted at this URL: <https://echa.europa.eu/guidance-documents/guidance-on-reach>

## Compatible Parts



## Also in the Series | AMPLIMITE HD-20



## Documents

### Product Drawings

[15 RCPT SP/FMS SCRLK](#)

English

### CAD Files

[3D PDF](#)

3D

Customer View Model

[ENG\\_CVM\\_CVM\\_1-5747299-4\\_C.2d\\_dxf.zip](#)

English

Customer View Model

[ENG\\_CVM\\_CVM\\_1-5747299-4\\_C.3d\\_igs.zip](#)

English

Customer View Model

[ENG\\_CVM\\_CVM\\_1-5747299-4\\_C.3d\\_stp.zip](#)

English



---

### Datasheets & Catalog Pages

[AMPLIMITE Subminiature D Connectors - Straight Posted Connectors](#)

English

---

### Product Specifications

[Application Specification](#)

English

---

### Product Environmental Compliance

[MD\\_1-5747299-4\\_04052018524\\_dmtec](#)

English

[MD\\_1-5747299-4\\_04052018524\\_dmtec](#)

English

---

### Agency Approvals

[UL Report](#)

English